

**IN THE UNITED STATES DISTRICT COURT
FOR THE NORTHERN DISTRICT OF ILLINOIS
EASTERN DIVISION**

Shenzhen Duoleduo Technology Co. Ltd.,

Plaintiff,

v.

THE INDIVIDUALS, CORPORATIONS,
LIMITED LIABILITY COMPANIES,
PARTNERSHIPS AND UNINCORPORATED
ASSOCIATIONS IDENTIFIED IN
SCHEDULE "A" HERETO,

Defendants.

Case No. 1:25-cv-13392-JIC

Honorable Jeffrey I. Cummings

Magistrate Gabriel A. Fuentes

PLAINTIFF'S MOTION FOR PRELIMINARY INJUNCTION

Plaintiff hereby moves this Honorable Court for entry of a Preliminary Injunction (the "Motion"). The scope of the requested Preliminary Injunction is substantially identical to the Temporary Restraining Order (the "TRO") entered November 24, 2025 [Dkt. 20] and First Extended TRO entered on December 5, 2025 [Dkt. 25]. Plaintiff's Motion, for which notice will be provided, is properly submitted to the Court on a non-*ex parte* basis. A Memorandum of Law in Support is filed concurrently with this Motion.

DATED: December 8, 2025

Respectfully submitted,

By: */s/ William R. Brees*

William R. Brees (FL Bar No. 98886)

Joseph W. Droter (IL Bar No. 6329630)

BAYRAMOGLU LAW OFFICES LLC

233 S Wacker Drive, 44th Floor, #57

Chicago IL 60606

Tel: (702) 462-5973 Fax: (702) 553-3404

william@bayramoglu-legal.com

joseph@bayramoglu-legal.com

Attorneys for Plaintiff

CERTIFICATE OF SERVICE

I hereby certify that on December 8, 2025, I will electronically file the foregoing with the Clerk of the Court using the CM/ECF system, I will electronically publish the documents on a website, and I will send an e-mail to any e-mail addresses provided for Defendant by third parties that includes a link to said website.

Respectfully submitted,

By: /s/ William R. Brees

William R. Brees (FL Bar No. 98886)

BAYRAMOGLU LAW OFFICES LLC

**IN THE UNITED STATES DISTRICT COURT
FOR THE NORTHERN DISTRICT OF ILLINOIS
EASTERN DIVISION**

Shenzhen Duoleduo Technology Co. Ltd.,

Plaintiff,

v.

THE INDIVIDUALS, CORPORATIONS,
LIMITED LIABILITY COMPANIES,
PARTNERSHIPS AND UNINCORPORATED
ASSOCIATIONS IDENTIFIED IN
SCHEDULE “A” HERETO,

Defendants.

Case No. 1:25-cv-13392-JIC

Honorable Jeffrey I. Cummings

Magistrate Gabriel A. Fuentes

**MEMORANDUM OF LAW IN SUPPORT OF PLAINTIFF’S MOTION FOR
PRELIMINARY INJUNCTION**

Plaintiff Shenzhen Duoleduo Technology Co. Ltd. (“Plaintiff”) submits this Memorandum of Law in support of its Motion for Preliminary Injunction (the “Motion”).

I. INTRODUCTION

Plaintiff initiated this action against the Defendants listed in Schedule “A”, (the “Defendants”), for infringement of U.S. Design Patent No. D1,062,965 (the “D’965 Patent”) and U.S. Design Patent No. D1,091,741 (the “D’741 Patent”, and collectively with the D’965 Patent the “Asserted Patents”). As alleged in Plaintiff’s Complaint [Dkt. No. 1], Defendants have promoted, marketed, offered for sale, sold and/or imported into the United States climbing structure/frame pikler products that violate Plaintiff’s rights to the D’965 Patent (the “Infringing Products”), through their e-commerce stores (the “Online Stores”) maintained on the Amazon platform (the “Platform”).

A. Procedural History

On November 24, 2025, this Court granted Plaintiff’s Temporary Restraining Order “TRO” request on an *ex parte* basis [Dkt. No. 20] *See* Declaration of W. Brees (“Brees Decl.”) at ¶ 4. On December 5, 2025, the Court granted Plaintiff’s First Extended Motion for TRO for fourteen (14) days until December 22, 2025. [Dkt. No. 25] [Brees Decl. at ¶ 5]. Substantively, the TRO authorized and directed Plaintiff to provide notice of these proceedings and the preliminary injunction hearing to Defendants by electronically publishing a link to the Complaint, the TRO, and other relevant documents on a website, together with effectuating electronic service by email transmission to any addresses provided for Defendants by third party online platforms. On December 1, 2025, Amazon restricted the Defendants’ account and produced the Defendants’ email addresses. [Brees Decl. at ¶ 6] Plaintiff then effectuated electronic service on December 4, 2025, after receiving the issued summons from the court. (*Id.* at ¶ 7, Dkt. No. 24.)

Based on the foregoing procedural history, including having effectuated electronic service of process to the Defendants as required by the TRO, Plaintiff respectfully requests the Court now enter a Preliminary Injunction in this matter. Plaintiff further requests the Court issue a Minute Order setting a deadline for Defendants to submit any oppositions to the Motion. Plaintiff will immediately serve the Defendants electronically with the requested Minute Order once it is issued by the Court. Substantively, as stated earlier, and as argued below, Plaintiff’s request for issuance of a preliminary injunction is in full compliance with the applicable standards for granting such relief.

II. ARGUMENTS

A. This Court has already found that the requirements for a preliminary injunction have been met.

Plaintiff respectfully requests that this Court convert the TRO to a preliminary injunction to prevent further illegal conduct by Defendants. Courts addressing similar allegations of Internet-based Patent Infringement have also issued Preliminary Injunctions following a TRO. See, e.g., *Dyson Technology Limited v. The Individuals*, Case No. 25-cv-10216, Dkt. No. 37 (Bucklo, J.); *Dyson Technology Limited v. The Individuals*, Case No. 25-cv-10969, Dkt. No. 37 (Durkin, J.); *Quanzhou Minghou Trading Co. Ltd. v. The Individuals*, Case No. 1:23-cv-00026, Dkt. No. 31 (Shah, J.) Plaintiff submits that these numerous prior decisions demonstrate the merits of Plaintiff's current request for issuance of preliminary injunctive relief by this Court. [Decl Brees at ¶ 8, Exhibit 1). Accordingly, Plaintiff asserts that the Court should grant the Motion and enter a Preliminary Injunction against the Defendants. Plaintiff asserts that no circumstances have changed since Plaintiff had previously requested relief in the form of a Temporary Restraining Order. As such, Plaintiff is unaware of any new information that would affect the Court's original analysis.

Since the standard for granting a TRO and the standard for granting a preliminary injunction are identical in this Circuit, the requirements for entry of a preliminary injunction extending the TRO have been satisfied. See, e.g. *Charter Nat'l Bank & Trust v. Charter One Fin., Inc.*, No. 1:01-cv-00905, 2001 WL 527404, *1 (N.D. Ill. May 15, 2001) (citations omitted). To be entitled to preliminary injunctive relief, the moving party must first show that it has (1) there is a reasonable likelihood that Plaintiff will succeed on the merits; (2) Plaintiff will suffer irreparable injury if the order is not granted because there is no adequate remedy at law; (3) the balance of hardships tips in Plaintiff's favor; and (4) the public interest will not be disserved by the injunction. *Columbia Pictures Indus., Inc. v. Jasso*, 927 F. Supp. 1075, 1076 (N.D. Ill. 1996). As

this Court has already entered a TRO on November 24, 2025, it has already found that the above requirements have been satisfied.

If these threshold requirements are met by the moving party, the court then “exercise[s] its discretion whether the balance of the harms weighs in favor of the moving party or whether the nonmoving party or the public interest will be harmed sufficiently such that the injunction should be denied.” *Christian Legal Soc’y v. Walker*, 453 F.3d 853, 859 (7th Cir. 2006). “This process involves engaging in what we term the sliding scale approach; the more likely the [moving party] will succeed on the merits, the less the balance of irreparable harms need favor the [moving party’s] position.” *Ty, Inc. v. Jones Group, Inc.*, 237 F.3d 891, 895 (7th Cir. 2001). The sliding scale approach is not mathematical in nature, rather “it is more properly characterized as subjective and intuitive, one which permits district courts to weigh the competing considerations and mold appropriate relief.” *Id.* at 895-896. The greater the movant’s likelihood of succeeding on the merits, the less the balancing of harms need be in his favor. *See Eli Lilly & Co. v. Natural Answers, Inc.*, 233 F.3d 456, 461 (7th Cir. 2000).

As established by the infringement evidence in the Complaint [Dkt. No. 1 ¶¶ 9-17,30-37] [Dkt No.1-3], along with the submission of the motion for TRO, and by this Court’s entry of the TRO, the above requirements for entry of a preliminary injunction have been satisfied. The record establishes that through Defendant’s illegal operations, Defendants have infringed upon the Asserted Patents. Thus, plaintiff is entitled to preliminary injunctive relief.

III. THE CURRENT BOND IS SUFFICIENT TO PROTECT DEFENDANT’S INTERESTS.

The Court has previously required Plaintiff to post a bond in the sum of \$10,000.00 in connection with issuance of the TRO [Dkt. No. 20]. The exact same circumstances, if not more, supporting the Court’s determination of this bond amount apply to Plaintiff’s request for entry of

a Preliminary Injunction. Such a strong showing militates against a subsequent finding that injunctive relief was improperly granted. Accordingly, Plaintiff requests the Court maintain the current bond amount required for issuance of the TRO for issuance of the preliminary injunction.

IV. CONCLUSION

For the foregoing reasons, Plaintiff respectfully requests the Court enter a Preliminary Injunction as requested above. If required, a minute order setting a deadline for Defendants to oppose the Motion and set a hearing on same can be issued, which Plaintiff will immediately serve Defendants with the Minute Order if issued by the Court. Plaintiff additionally respectfully requests the Court to maintain the current bond amount required under the TRO, together with issuing any other relief that it deems just and proper.

DATED: December 8, 2025

Respectfully submitted,

By: */s/ William R. Brees*

William R. Brees (FL Bar No. 98886)

Joseph W. Droter (IL Bar No. 6329630)

BAYRAMOGLU LAW OFFICES LLC

233 S Wacker Drive, 44th Floor, #57

Chicago IL 60606

Tel: (702) 462-5973 Fax: (702) 553-3404

william@bayramoglu-legal.com

joseph@bayramoglu-legal.com

Attorneys for Plaintiff

CERTIFICATE OF SERVICE

I hereby certify that on December 8, 2025, I will electronically file the foregoing with the Clerk of the Court using the CM/ECF system, I will electronically publish the documents on a website, and I will send an e-mail to any e-mail addresses provided by the Platform, Amazon, that includes a link to said website.

Respectfully submitted,

By: /s/ William R. Brees

William R. Brees (FL Bar No. 98886)

BAYRAMOGLU LAW OFFICES LLC

**IN THE UNITED STATES DISTRICT COURT
FOR THE NORTHERN DISTRICT OF ILLINOIS
EASTERN DIVISION**

Shenzhen Duoleduo Technology Co. Ltd.,

Plaintiff,

v.

THE INDIVIDUALS, CORPORATIONS,
LIMITED LIABILITY COMPANIES,
PARTNERSHIPS AND UNINCORPORATED
ASSOCIATIONS IDENTIFIED IN
SCHEDULE "A" HERETO,

Defendants.

Case No. 1:25-cv-13392-JIC

Honorable Jeffrey I. Cummings

Magistrate Gabriel A. Fuentes

DECLARATION OF WILLIAM R. BREES, ESQ.
IN SUPPORT OF PLAINTIFF'S MOTION FOR PRELIMINARY INJUNCTION

I, William R. Brees, of the St. Petersburg, Florida, declare as follows:

1. Except as otherwise expressly stated to the contrary, this declaration is based upon my personal knowledge of the following facts and, if called as a witness, I could and would competently testify to the statements made herein.

2. I make this declaration in support of Plaintiff's Motion for Preliminary Injunction (the "Motion").

3. I am an attorney at law, duly admitted to practice before the Courts of the State of Florida and the United States District Court for the Northern District of Illinois. I am one of the Attorneys for Plaintiff Shenzhen Duoleduo Technology Co. Ltd., ("Plaintiff"). I make this declaration from matters within my own personal knowledge unless stated otherwise.

4. Plaintiff's Motion for Temporary Restraining Order (the "TRO") was granted by the Court on November 24, 2025, [Dkt. No. 20].

5. On December 5, 2025, the Court granted Plaintiff's First Motion to Extend the TRO for fourteen (14) days until December 22, 2025. [Dkt. No. 25].

6. On December 1, 2025, the designated online platform, Amazon, (the "Platform") provided Plaintiff with the email addresses and restricted the accounts for the named Defendants listed on Schedule "A", (the "Defendants") so that electronic service of process authorized by the Court could be effectuated.

7. On December 4, 2025, after receiving the summons from the clerk's office, Plaintiff effectuated electronic service of process on the Defendants. [Dkt. No. 24].

8. Genuine and authentic copies of the unpublished decisions cited in Plaintiff's Memorandum of Law in Support of Motion for Entry of Preliminary Injunction are attached hereto as **Exhibit 1**.

I declare under penalty of perjury under the laws of the United States of America the foregoing is true and correct.

Executed on December 8, 2025, in St. Petersburg, Florida.

By: /s/ William R. Brees
WILLIAM R. BREES, ESQ.

CERTIFICATE OF SERVICE

I hereby certify that on December 8, 2025, I will electronically file the foregoing with the Clerk of the Court using the CM/ECF system, I will electronically publish the documents on a website, and I will send an e-mail to any e-mail addresses identified by the Platform, Amazon, for Defendant, includes a link to said website.

Respectfully submitted,

By: /s/ William R. Brees

William R. Brees (FL BAR NO. 98886))

BAYRAMOGLU LAW OFFICES LLC

EXHIBIT 1

**IN THE UNITED STATES DISTRICT COURT
FOR THE NORTHERN DISTRICT OF ILLINOIS
EASTERN DIVISION**

DYSON TECHNOLOGY LIMITED,

Plaintiff,

v.

THE PARTNERSHIPS and UNINCORPORATED
ASSOCIATIONS IDENTIFIED ON SCHEDULE
“A”,

Defendants.

Case No. 25-cv-10216

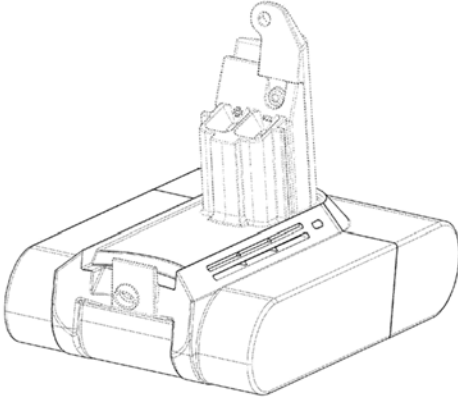
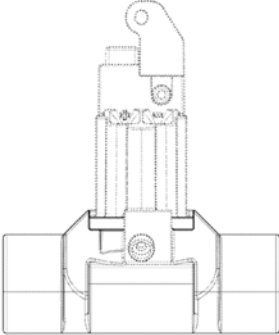
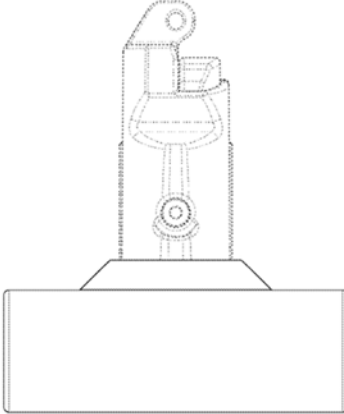
Judge Elaine E. Bucklo

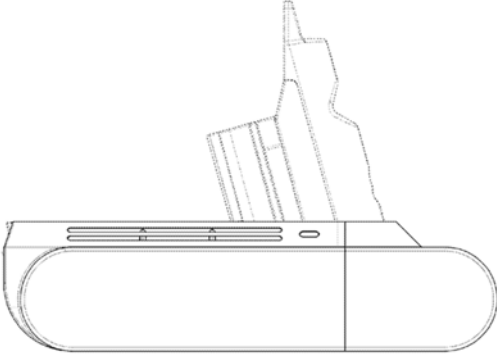
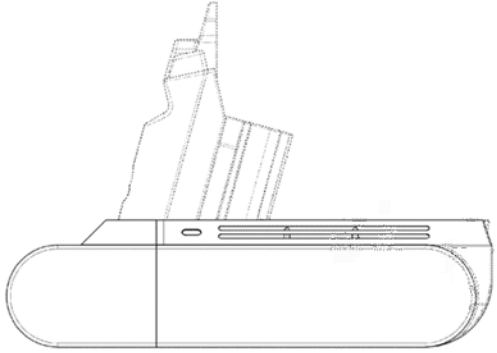
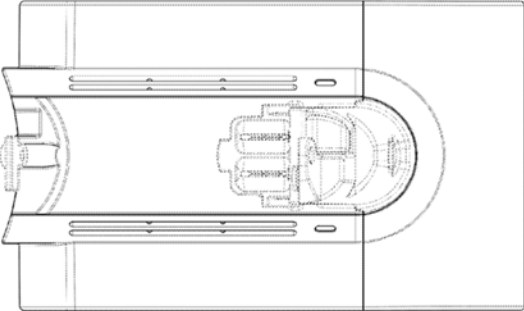
Magistrate Judge Keri L. Holleb Hotaling

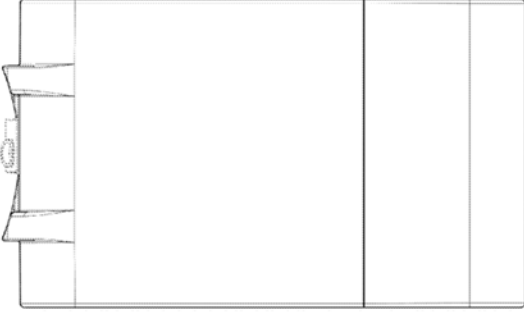
PRELIMINARY INJUNCTION ORDER

THIS CAUSE being before the Court on Plaintiff Dyson Technology Limited’s (“Plaintiff” or “Dyson”) Motion for Entry of a Preliminary Injunction, and this Court having heard the evidence before it hereby GRANTS Plaintiff’s Motion for Entry of a Preliminary Injunction in its entirety against Defendants, identified in Schedule A attached hereto (the “Seller Aliases”).

The Court further finds that it has personal jurisdiction over the Defendants since the Defendants directly target their business activities toward consumers in the United States, including Illinois. Specifically, Defendants have targeted sales to Illinois residents by setting up and operating e-commerce stores that target United States consumers using one or more Seller Aliases, offer shipping to the United States, including Illinois, accept payment in U.S. dollars and/or funds from U.S. bank accounts, and have sold the same product shown in Exhibit 1 to the Complaint [3], that infringes Plaintiff’s U.S. Patent No. D710,299 (the “Infringing Product”). Plaintiff’s U.S. Patent No. D710,299 (the “Dyson Design”) is shown in the below chart.

Patent Number	Claim	Issue Date
D710,299	 <p data-bbox="743 709 808 737">FIG. 1</p>  <p data-bbox="743 1157 808 1184">FIG. 2</p>  <p data-bbox="732 1696 808 1724">FIG. 3</p>	August 5, 2014

Patent Number	Claim	Issue Date
	 <p data-bbox="737 674 805 701">FIG. 4</p>  <p data-bbox="737 1144 805 1171">FIG. 5</p>  <p data-bbox="732 1583 810 1610">FIG. 6</p>	

Patent Number	Claim	Issue Date
	 <p style="text-align: center;">FIG. 7</p>	

THIS COURT FURTHER FINDS that injunctive relief previously granted in the Temporary Restraining Order (“TRO”) should remain in place through the pendency of this litigation and that issuing this Preliminary Injunction is warranted under Federal Rule of Civil Procedure 65. Evidence submitted in support of this Motion and in support of Plaintiff’s previously granted Motion for Entry of a Temporary Restraining Order establishes that Plaintiff has demonstrated a likelihood of success on the merits; that no remedy at law exists; and that Plaintiff will suffer irreparable harm if the injunction is not granted. Specifically, Plaintiff has proved a *prima facie* case of design infringement because (1) Plaintiff is the lawful assignee of all right, title and interest in and to the Dyson Design, (2) Defendants make, use, offer for sale, sell, and/or import into the United States for subsequent sale or use products that infringe directly and/or indirectly the ornamental design claimed in the Dyson Design, and (3) an ordinary observer would be deceived into thinking the Infringing Product was the same as the Dyson Design. Furthermore, Defendants’ continued and unauthorized use of the Dyson Design irreparably harms Plaintiff through loss of customers’ goodwill, reputational harm, and Plaintiff’s ability to exploit the Dyson Design. Monetary damages fail to address such damage and, therefore, Plaintiff has an inadequate

remedy at law. Moreover, the public interest is served by entry of this Preliminary Injunction to dispel the public confusion created by Defendants' actions. As such, this Court orders that:

1. Defendants, their affiliates, officers, agents, servants, employees, attorneys, confederates, and all persons acting for, with, by, through, under or in active concert with them be preliminarily enjoined and restrained from:
 - a. offering for sale, selling and importing the Infringing Product;
 - b. aiding, abetting, contributing to, or otherwise assisting anyone in offering for sale, selling, and importing the Infringing Product; and
 - c. effecting assignments or transfers, forming new entities or associations or utilizing any other device for the purpose of circumventing or otherwise avoiding the prohibitions set forth in Subparagraphs (a) and (b).
2. Upon Plaintiff's request, any third party with actual notice of this Order who is providing services for any of the Defendants, or in connection with any of Defendants' Online Marketplaces, including, without limitation, any online marketplace platforms such as PayPal, Inc. ("PayPal"), Amazon.com, Inc. ("Amazon") and Walmart, Inc. ("Walmart") (collectively, the "Third Party Providers") shall, within seven (7) calendar days after receipt of such notice, provide to Plaintiff expedited discovery, including copies of all documents and records in such person's or entity's possession or control relating to:
 - a. the identities and locations of Defendants, their affiliates, officers, agents, servants, employees, confederates, attorneys, and any persons acting in concert or participation with them, including all known contact information, and all associated e-mail addresses;

- b. the nature of Defendants' operations and all associated sales, methods of payment for services and financial information, including, without limitation, identifying information associated with the Online Marketplaces and Defendants' financial accounts, as well as providing a full accounting of Defendants' sales and listing history related to their respective Online Marketplaces; and
 - c. any financial accounts owned or controlled by Defendants, including their agents, servants, employees, confederates, attorneys, and any persons acting in concert or participation with them, including such accounts residing with or under the control of any banks, savings and loan associations, payment processors or other financial institutions including, without limitation, PayPal, Amazon, Walmart, or other merchant account providers, payment providers, third party processors, and credit card associations (e.g., MasterCard and VISA).
3. Upon Plaintiff's request, those with notice of the injunction, including the Third Party Providers as defined in Paragraph 2, shall within seven (7) calendar days after receipt of such notice, disable and cease displaying any advertisements used by or associated with Defendants in connection with the sale of the Infringing Product.
4. Defendants shall be temporarily and preliminarily restrained and enjoined from transferring or disposing of any money or other of Defendants' assets until further ordered by this Court.
5. Any Third Party Providers, including PayPal, Amazon and Walmart, shall, within seven (7) calendar days of receipt of this Order:

- a. locate all accounts and funds connected to Defendants' Seller Aliases and Online Marketplaces, including, but not limited to, any financial accounts connected to the information listed in Schedule A hereto; and
 - b. restrain and enjoin any such accounts or funds from transferring or disposing of any money or other of Defendants' assets until further ordered by this Court.
6. Plaintiff is authorized to issue expedited written discovery, pursuant to the Federal Rules of Civil Procedure 33, 34 and 36, related to:
 - a. the identities and locations of Defendants, their affiliates, officers, agents, servants, employees, confederates, attorneys, and any persons acting in concert or participation with them, including all known contact information, including any and all associated e-mail addresses; and
 - b. the nature of Defendants' operations and all associated sales, methods of payment for services and financial information, including, without limitation, identifying information associated with the Online Marketplaces and Defendants' financial accounts, as well as providing a full accounting of Defendants' sales and listing history related to their respective Online Marketplaces.

Plaintiff is authorized to issue any such expedited discovery requests via e-mail. Defendants shall respond to any such discovery requests within three (3) business days of being served via e-mail.

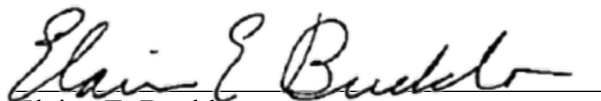
7. Plaintiff may provide notice of these proceedings to Defendants, including service of process pursuant to Fed. R. Civ. P. 4(f)(3), and any future motions by electronically publishing a link to the Complaint, this Order and other relevant documents on a website or/and by sending an e-mail with an attachment of the relevant documents and a link to

said website to an e-mail address for each Defendant. The Clerk of the Court is directed to issue a single original summons in the name of “The Partnerships and all other Defendants identified in the Complaint” that shall apply to all Defendants. The combination of providing notice via electronic publication and e-mail, along with any notice that Defendants receive from payment processors, shall constitute notice reasonably calculated under all circumstances to apprise Defendants of the pendency of the action and afford them the opportunity to present their objections.

8. Schedule A to the Complaint [2], Exhibit 1 to the Complaint [3], Exhibit 2 to the Declaration of Giles Samuel Lane [17], and the TRO [23] are unsealed.
9. Any Defendants that are subject to this Order may appear and move to dissolve or modify the Order as permitted by and in compliance with the Federal Rules of Civil Procedure and Northern District of Illinois Local Rules.
10. The ten thousand dollar (\$10,000) bond posted by Plaintiff shall remain with the Court until a Final disposition of this case or until this Preliminary Injunction is terminated.

IT IS SO ORDERED.

Date: October 3, 2025


Elaine E. Bucklo
United States District Judge

**Dyson Technology Limited v. The Partnerships and Unincorporated Associations Identified on
Schedule "A" - Case No. 25-cv-10216**

Schedule A

Defendant Online Marketplaces		
No	URL	Name / Seller Alias
1	amazon.com/sp?seller=A1G8D6JW95DJYK	CHANJOYH
2	amazon.com/sp?seller=AEES9PDUNUQ12	EVSUO
3	amazon.com/sp?seller=AA9GLLH8KQCM4	Fancy Flag Store
4	amazon.com/sp?seller=A16W6OU34AE0PO	FlyUS
5	amazon.com/sp?seller=A1S3AD11DV7NK1	HNNHZGZG-US
6	amazon.com/sp?seller=A32KEXWA7A2S8X	HYSUNNY
7	amazon.com/sp?seller=A3DPD9LA07BROS	LONGFITUS
8	amazon.com/sp?seller=A1H35ER32344JF	Masbono
9	amazon.com/sp?seller=A3QO6KEAMNP7HN	Ronsineraay
10	amazon.com/sp?seller=A19DXLOOTUDZNE	SingalieStone
11	amazon.com/sp?seller=A5MNZZI691UER	Songshen Trading
12	amazon.com/sp?seller=A3VA2F2FHBZ8HK	TCSpoto
13	amazon.com/sp?seller=ADD4UG6YKZZAA	Trixalvok-US
14	amazon.com/sp?seller=A2TO4LDU9VKO68	Yuestaeserfly
15	walmart.com/seller/102486104	foshanshilingxuanlongshangmao
16	walmart.com/seller/101682200	Shengyu

**IN THE UNITED STATES DISTRICT COURT
FOR THE NORTHERN DISTRICT OF ILLINOIS
EASTERN DIVISION**

DYSON TECHNOLOGY LIMITED,

Plaintiff,

v.

THE PARTNERSHIPS and
UNINCORPORATED ASSOCIATIONS
IDENTIFIED ON SCHEDULE “A”,

Defendants.

Case No. 25-cv-10969

Judge Thomas M. Durkin

Magistrate Judge Young B. Kim

PRELIMINARY INJUNCTION ORDER

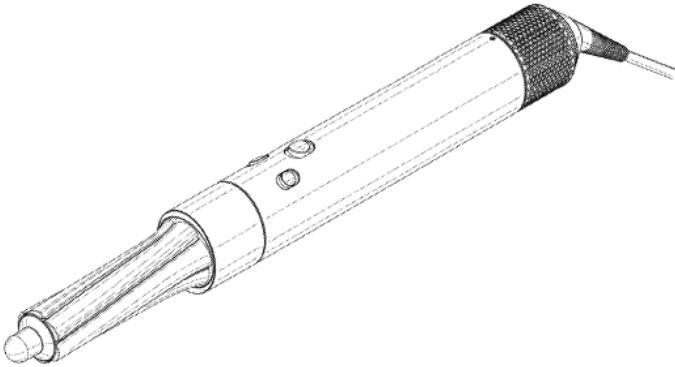
Plaintiff Dyson Technology Limited (“Plaintiff” or “Dyson”) filed a Motion for Entry of a Preliminary Injunction against the fully interactive, e-commerce stores¹ operating under the seller aliases identified in Schedule A to the Complaint and attached hereto (collectively, “Defendants”) and the online marketplace accounts identified in Schedule A (the “Online Marketplaces”). After reviewing the Motion and the accompanying record, this Court GRANTS Plaintiff’s Motion in part as follows.

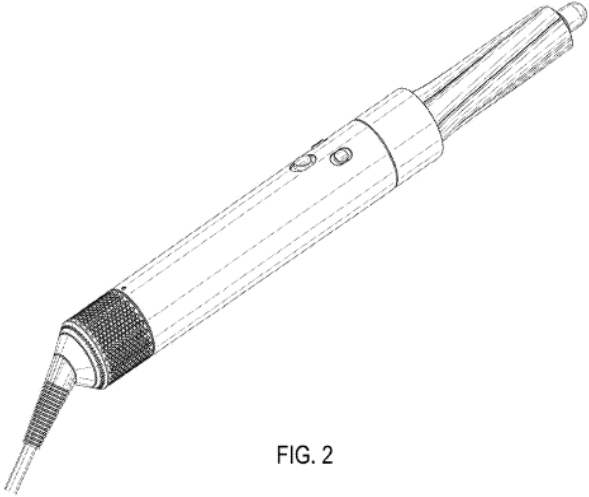



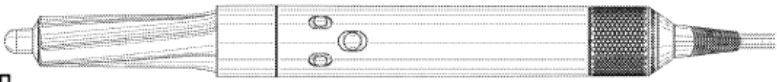

This Court finds Plaintiff has provided notice to Defendants in accordance with the Temporary Restraining Order entered September 18, 2025, [25] (“TRO”), and Federal Rule of Civil Procedure 65(a)(1).

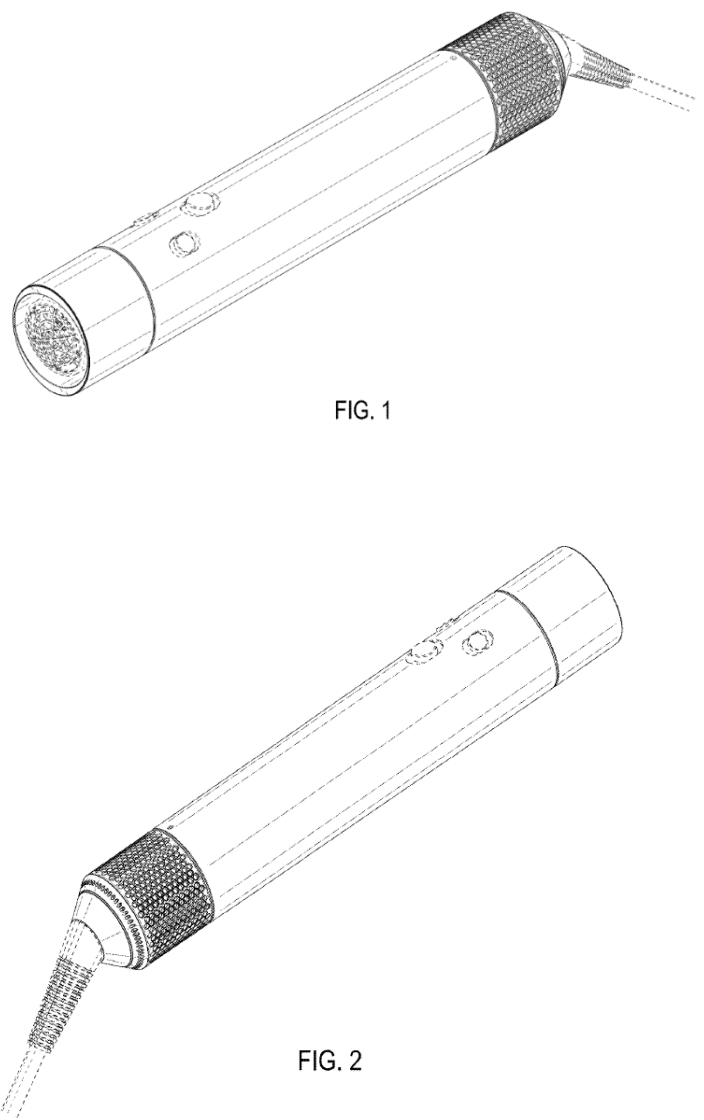
This Court also finds, in the absence of adversarial presentation, that it has personal jurisdiction over Defendants because Defendants directly target their business activities toward

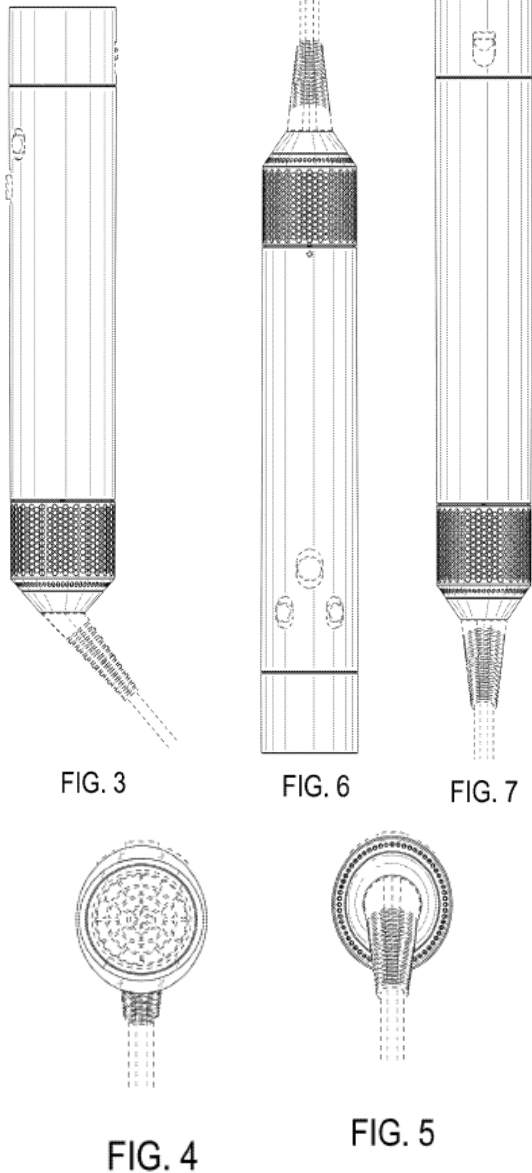
¹ The e-commerce store urls are listed on Schedule A hereto under the Online Marketplaces. The injunctive relief provisions of this Order only apply to Defendants on Schedule A attached hereto with a “PI” designation. Provisions for expedited discovery (paragraphs 3 and 4) and electronic service (paragraph 7) apply to all Defendants.

consumers in the United States, including Illinois. Specifically, Plaintiff has provided a basis to conclude that Defendants have targeted sales to Illinois residents by setting up and operating e-commerce stores that target United States consumers using one or more seller aliases, offer shipping to the United States, including Illinois, accept payment in U.S. dollars and/or funds from U.S. bank accounts, and have sold the same product (the “Infringing Product”) shown in Exhibit 1 to the Complaint [3], that infringes Plaintiff’s U.S. Patent No. D853,642 and U.S. Patent No. D852,415, namely hair styling products that copy the ornamental designs shown in the below chart, to residents of Illinois. In this case, Plaintiff has presented screenshot evidence that each Defendant e-commerce store is reaching out to do business with Illinois residents by operating one or more commercial, interactive internet stores through which Illinois residents can and do purchase Infringing Products. *See* Docket No. [19], which includes screenshot evidence confirming that each Defendant e-commerce store does stand ready, willing and able to ship Infringing Products to customers in Illinois. Plaintiff’s U.S. Patent No. D853,642 and U.S. Patent No. D852,415 (the “Dyson Designs”) are shown in the below chart.

Patent Number	Claim	Issue Date
D853,642	 <p data-bbox="764 1688 824 1713">FIG. 1</p>	July 9, 2019

Patent Number	Claim	Issue Date
	 <p data-bbox="743 737 808 768">FIG. 2</p>  <p data-bbox="418 873 451 940">FIG. 3</p>  <p data-bbox="605 1262 678 1293">FIG. 4</p>  <p data-bbox="849 1255 922 1287">FIG. 5</p>  <p data-bbox="386 1482 418 1549">FIG. 6</p>  <p data-bbox="410 1734 443 1801">FIG. 7</p>	

Patent Number	Claim	Issue Date
D852,415	 <p data-bbox="779 745 844 787">FIG. 1</p> <p data-bbox="747 1396 820 1438">FIG. 2</p>	June 25, 2019

Patent Number	Claim	Issue Date
	 <p style="text-align: center;"> FIG. 3 FIG. 6 FIG. 7 FIG. 4 FIG. 5 </p>	

This Court also finds that the injunctive relief previously granted in the TRO should remain in place through the pendency of this litigation and that issuing this Preliminary Injunction is warranted under Federal Rule of Civil Procedure 65. Evidence submitted in support of this Motion and in support of Plaintiff’s previously granted Motion for Entry of a

TRO establishes that Plaintiff has demonstrated a likelihood of success on the merits; that no remedy at law exists; and that Plaintiff will suffer irreparable harm if the injunction is not granted.

Specifically, Plaintiff has proved a *prima facie* case of design patent infringement because (1) Plaintiff is the lawful assignee of all right, title and interest in and to the Dyson Designs, (2) Defendants make, use, offer for sale, sell, and/or import into the United States for subsequent sale or use products that infringe directly and/or indirectly the ornamental design claimed in the Dyson Designs, and (3) an ordinary observer would be deceived into thinking the Infringing Product was the same as the Dyson Designs. Furthermore, Defendants' continued and unauthorized use of the Dyson Designs irreparably harms Plaintiff through loss of customers' goodwill, reputational harm, and Plaintiff's ability to exploit the Dyson Designs. Monetary damages fail to address such damage and, therefore, Plaintiff has an inadequate remedy at law. Moreover, the public interest is served by entry of this Preliminary Injunction to dispel the public confusion created by Defendants' actions. Accordingly, this Court orders that:

1. Defendants, their officers, agents, servants, employees, attorneys, and all persons acting for, with, by, through, under, or in active concert with them be preliminarily enjoined and restrained from:
 - a. offering for sale, selling and importing the Infringing Product;
 - b. aiding, abetting, contributing to, or otherwise assisting anyone in offering for sale, selling, and importing the Infringing Product; and

- c. effecting assignments or transfers, forming new entities or associations or utilizing any other device for the purpose of circumventing or otherwise avoiding the prohibitions set forth in Subparagraphs (a) and (b).
2. Defendants shall not transfer or dispose of any money or other of Defendants' assets in any of Defendants' financial accounts.
3. Plaintiff is authorized to issue expedited written discovery to Defendants, pursuant to Federal Rules of Civil Procedure 33, 34, and 36, related to:
 - a. the identities and locations of Defendants, their officers, agents, servants, employees, attorneys, and any persons acting in active concert or participation with them, including all known contact information and all associated e-mail addresses;
 - b. the nature of Defendants' operations and all associated sales, methods of payment for services, and financial information, including, without limitation, identifying information associated with the Online Marketplaces and Defendants' financial accounts, including Defendants' sales and listing history related to their respective Online Marketplaces; and
 - c. any financial accounts owned or controlled by Defendants, including their officers, agents, servants, employees, attorneys, and any persons acting in active concert or participation with them, including such accounts residing with or under the control of any banks, savings and loan associations, payment processors or other financial institutions, including, without limitation, PayPal, Inc. ("PayPal"), Amazon.com, Inc. ("Amazon") and Walmart, Inc. ("Walmart"), or other merchant account providers, payment providers, third party processors, and credit card associations (e.g., MasterCard and VISA).

Plaintiff is authorized to issue any such expedited discovery requests via e-mail. Defendants shall respond to any such discovery requests within seven (7) calendar days of being served via e-mail.

4. Upon Plaintiff's request, any third party with actual notice of this Order who is providing services for any of Defendants, or in connection with any of Defendants' Online Marketplaces, including, without limitation, any online marketplace platforms such as PayPal, Amazon, and Walmart, (collectively, the "Third Party Providers"), shall, within seven (7) calendar days after receipt of such notice, provide to Plaintiff expedited discovery, limited to copies of documents and records in such person's or entity's possession or control sufficient to determine:
 - a. the identities and locations of Defendants, their officers, agents, servants, employees, attorneys, and any persons acting in active concert or participation with them, including all known contact information and all associated e-mail addresses;
 - b. the nature of Defendants' operations and all associated sales, methods of payment for services, and financial information, including, without limitation, identifying information associated with the Online Marketplaces and Defendants' financial accounts, including Defendants' sales and listing history related to their respective Online Marketplaces; and
 - c. any financial accounts owned or controlled by Defendants, including their officers, agents, servants, employees, attorneys, and any persons acting in active concert or participation with them, including such accounts residing with or under the control of any banks, savings and loan associations, payment processors or other financial institutions, including, without limitation, PayPal, Amazon, Walmart, or other

merchant account providers, payment providers, third party processors, and credit card associations (e.g., MasterCard and VISA).

5. Upon Plaintiff's request, those with notice of this Order, including the Third Party Providers as defined in Paragraph 3, shall within seven (7) calendar days after receipt of such notice, disable and cease displaying any advertisements used by or associated with Defendants in connection with the sale of Infringing Products.
6. Any Third Party Providers, including PayPal, Amazon and Walmart, shall, within seven (7) calendar days of receipt of this Order:
 - a. locate all accounts and funds connected to Defendants' seller aliases, including, but not limited to, any financial accounts connected to the information listed in Schedule A hereto, the e-mail addresses identified in Exhibits to the Declaration of Giles Samuel Lane, and any e-mail addresses provided for Defendants by third parties; and
 - b. restrain and enjoin any such accounts or funds from transferring or disposing of any money or other of Defendants' assets until further order by this Court.
7. Plaintiff may provide notice of the proceedings in this case to Defendants, including service of process pursuant to Fed. R. Civ. P. 4(f)(3), and any future motions, by electronically publishing a link to the Pleadings, this Order, and other relevant documents on a website and by sending an e-mail with an attachment of the relevant documents and a link to said website to an e-mail address for each Defendant. The Clerk of the Court is directed to issue a single original summons in the name of "AMXWYUS and all other Defendants identified in the Complaint" that shall apply to all Defendants. The combination of providing notice via electronic publication and e-mail, along with

any notice that Defendants receive from payment processors, shall constitute notice reasonably calculated under all circumstances to apprise Defendants of the pendency of the action and afford them the opportunity to present their objections.

8. Schedule A to the Complaint [2], Exhibit 1 to the Complaint [3], Exhibits to the Declaration of Giles Samuel Lane [19], and the TRO [25] are unsealed.
9. Any Defendants that are subject to this Order may appear and move to dissolve or modify the Order as permitted by and in compliance with the Federal Rules of Civil Procedure and the Northern District of Illinois Local Rules. Any third party impacted by this Order may move for appropriate relief.
10. The two thousand dollar (\$2,000) bond posted by Plaintiff shall remain with the Court until a final disposition of this case or until this Preliminary Injunction is terminated.

SO ORDERED:



Thomas M. Durkin
United States District Judge

Dated: October 1, 2025

**Dyson Technology Limited v. The Partnerships and Unincorporated Associations Identified on
Schedule "A" - Case No. 25-cv-10969**

Schedule A

No	URL	Name / Seller Alias	Status
1	amazon.com/sp?seller=A25NRKF1ZSFJMJ	AMXWYUS	
2	amazon.com/sp?seller=ALDQ6L235K8D2	baiyinmingrencanyinfuwuyouxiangong si	
3	amazon.com/sp?seller=A5OAPUHP8VLP2	Bian.	
4	amazon.com/sp?seller=A1CYQ2G2YX3CIM	Cetzork	
5	amazon.com/sp?seller=A2UO230BM847U	DARREN DREAM	
6	amazon.com/sp?seller=A1F39R4FE1OZS0	Fernandez1	
7	amazon.com/sp?seller=A6DFOXG3SDCB5	Gengsen	
8	amazon.com/sp?seller=AOJWJNZ4JXYH2	gugangshangmao	
9	amazon.com/sp?seller=A3VZQKSI3CZGK6	happyyy.	
10	amazon.com/sp?seller=A2F70MV73J833L	HOU&	
11	amazon.com/sp?seller=A1ZEQGD68HHHX	Huangjinrui shop	
12	amazon.com/sp?seller=AFDAE0KNISN7U	KangXiu	
13	amazon.com/sp?seller=A2XR4JGFGKKRKZ	kanzeshangmao	
14	amazon.com/sp?seller=AIC7J9E6KYWUU	KuMiXinXiJiShu	
15	amazon.com/sp?seller=A1BQ1WA5KQI9ZF	LCNN	
16	amazon.com/sp?seller=A2RL9DSWDP2CAH	longxixiangongchangzhen	
17	amazon.com/sp?seller=A1JTDQLIN7SGAW	luyixianguanqingshangmaoyouxianzere ngongsi	
18	amazon.com/sp?seller=A274GM7ES0FY1E	Magic Airstyler Shop(7-14Day delivery)	
19	amazon.com/sp?seller=A2IBNUIECR5A2M	Manutox	
20	us.shein.com/store/home?store_code=607 1905653	ATOPSKINS US	
21	walmart.com/seller/102780901	A beauty tool and supply store	
22	walmart.com/seller/102762241	AKAKKK	PI
23	walmart.com/seller/102862847	anyudianzishangwu1	
24	walmart.com/seller/102766594	BaiBao Hub	
25	walmart.com/seller/102512465	Celis	
26	walmart.com/seller/102779833	chengyue	
27	walmart.com/seller/101668666	CHEXIO Co.Ltd	
28	walmart.com/seller/102714980	CloudJoy Shop	
29	walmart.com/seller/101680649	DeePals,ltd	PI
30	walmart.com/seller/102765422	EE CAFE Store	
31	walmart.com/seller/102873063	Feng Dingjing	
32	walmart.com/seller/101524296	flourish and grow	

33	walmart.com/seller/102836867	GaoHeEleven	
34	walmart.com/seller/102846686	gaoheLLC	
35	walmart.com/seller/102851093	GaoHesixteen	
36	walmart.com/seller/102740084	guangzhoupingdainanmaoyi	
37	walmart.com/seller/102740502	haerbinhuliangjushangma	
38	walmart.com/seller/101626158	handingshangmao	
39	EXCEPTED	EXCEPTED	
40	walmart.com/seller/102759683	HuangXiaoRui	
41	walmart.com/seller/102665939	huanyikeji	
42	walmart.com/seller/102717508	Ibeautyliss	
43	walmart.com/seller/101226416	JD Trade CO.,LTD	
44	walmart.com/seller/102647383	Jiabai	
45	walmart.com/seller/102522274	JingPinDian	
46	walmart.com/seller/102719317	Jinruifeng	
47	walmart.com/seller/102753836	JNuo-Enterprise	
48	walmart.com/seller/102661166	Jssie	
49	walmart.com/seller/102513628	jurycqq	
50	walmart.com/seller/102826896	KFJewelry	

**IN THE UNITED STATES DISTRICT COURT
FOR THE NORTHERN DISTRICT OF ILLINOIS
EASTERN DIVISION**

QUANZHOU MINGHOU TRADING CO.
LTD, a Chinese corporation,

Plaintiff,

vs.

THE PARTNERSHIPS and
UNINCORPORATED ASSOCIATIONS
IDENTIFIED ON SCHEDULE “A,”

Defendants.

Case No. 1:23-cv-00026-MSS-SRH

**ORDER FOR PRELIMINARY
INJUNCTION**

Honorable Judge Manish S. Shah

JURY TRIAL DEMANDED

**PRELIMINARY INJUNCTION ORDER AS TO DEFENDANTS NUMBERED 1-7, 11-13,
16, 18-32 AND 52- 57**

THIS CAUSE being before the Court on Plaintiff QUANZHOU MINGHOU TRADING CO. LTD., (“MINGHOU” or "Plaintiff") Motion for Entry of Preliminary Injunction (“Motion”) as to Defendants numbered 1-7, 11-13, 16, 18-32, and 52-57 (collectively referred to as “Defendants”), and this Court having heard the evidence before it hereby GRANTS Plaintiff’s Motion for Entry of a Preliminary Injunction in its entirety against Defendants numbered 1-7, 11-13, 16, 18-32, and 52-57 as identified in Schedule A to this Order, who operate fully interactive, e-commerce stores under the seller aliases identified in Schedule 1 to the Complaint (collectively, the “Seller Aliases”). The Court notes that certain defendants¹ have not yet been served with notice of the preliminary injunction hearing, and that therefore the unserved defendants are not subject to this order. The preliminary injunction is limited to those defendants that have been served.

¹ The unserved defendants are Defendants numbered 8-10, 14-15, 17, 33-51, and 58 – 80 in Schedule “A” to the Complaint. All other defendants have been served with the pending motion and given notice of the hearing.

The Court further finds, in the absence of adversarial presentation, that it has personal jurisdiction over the Defendants numbered 1-7, 11-13, 16, 18-32, and 52-57, since the Defendants directly target their business activities toward consumers in the United States, including Illinois. Specifically, Defendants have targeted sales to Illinois residents by setting up and operating e-commerce stores that target United States consumers using one or more Seller Aliases, offer shipping to the United States, including Illinois, accept payment in U.S. dollars and, on information and belief, have sold products that infringe directly and/or indirectly Plaintiffs United States design patent shown in the figures below.

FIGURE 1- FRONT ELEVATIONAL VIEW

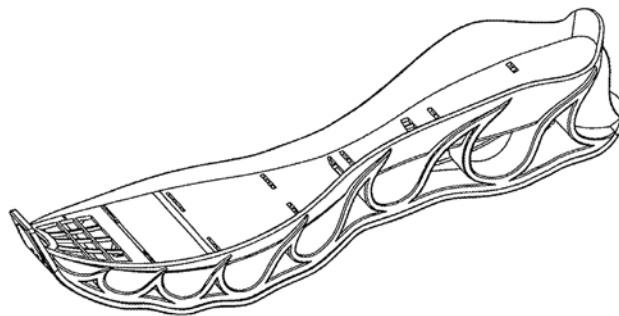


FIGURE 2- REAR ELEVATIONAL VIEW



FIGURE 3- LEFT SIDE VIEW



FIGURE 4- RIGHT SIDE VIEW



FIGURE 5- FRONT VIEW

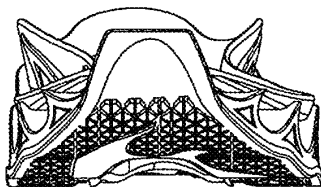


FIGURE 6- REAR VIEW

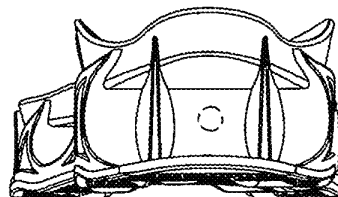
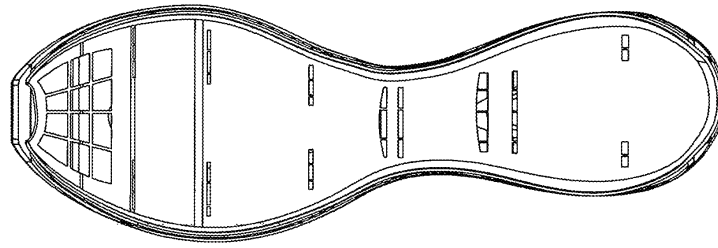


FIGURE 7- TOP VIEW

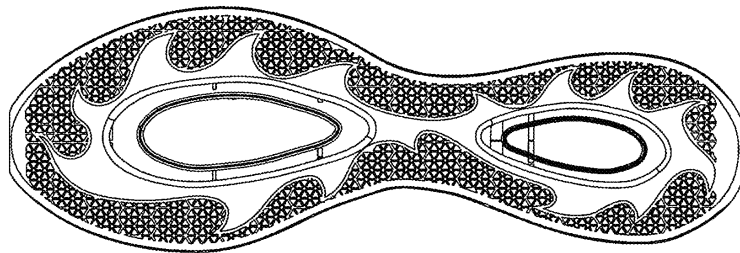


///

///

///

FIGURE 8- BOTTOM VIEW



THIS COURT FURTHER FINDS that injunctive relief previously granted in the Temporary Restraining Order (“TRO”) should remain in place through the pendency of this litigation and that issuing this Preliminary Injunction is warranted under Federal Rule of Civil Procedure 65. Evidence submitted in support of this Motion and in support of MINGHOU’S previously granted Motion for Entry of a Temporary Restraining Order establishes that MINGHOU has demonstrated a likelihood of success on the merits; that no remedy at law exists; and that MINGHOU will suffer irreparable harm if the injunction is not granted. Specifically, MINGHOU has proved a prima facie case of design infringement because (1) MINGHOU is the lawful assignee of all right, title and interest in and to the Footwear Sole Designs, (2) Defendants make, use, offer for sale, sell, and/or import into the United States for subsequent sale or use products that infringe directly and/or indirectly the ornamental designs claimed in the Footwear

Sole Design, and (3) an ordinary observer would be deceived into thinking the Infringing Product was the same as the Footwear Sole Design. Furthermore, Defendants' continued, and unauthorized use of the Footwear Sole Design irreparably harms MINGHOU through loss of customers' goodwill, reputational harm, and MINGHOU'S ability to exploit the Footwear Sole Design. Monetary damages fail to address such damage and, therefore, MINGHOU has an inadequate remedy at law. Moreover, the public interest is served by entry of this Preliminary Injunction to dispel the public confusion created by Defendants' actions. As such, this Court orders that

1. Defendants, their affiliates, officers, agents, servants, employees, attorneys, confederates, and all persons acting for, with, by, through, under or in active concert with them be temporarily enjoined and restrained from:

- a. offering for sale, selling, and importing any products not authorized by MINGHOU and that include any reproduction, copy or colorable imitation of the Footwear Sole Design claimed in the '376 Patent;
- b. aiding, abetting, contributing to, or otherwise assisting anyone in infringing upon the Footwear Sole Design; and
- c. effecting assignments or transfers, forming new entities or associations, or utilizing any other device for the purpose of circumventing or otherwise avoiding the prohibitions set forth in Subparagraphs (a) and (b).

2. Upon MINGHOU's request, any third party with actual notice of this Order who is providing services for any of the Defendants or in connection with any of Defendant's Online Marketplaces, including, without limitation, any online marketplace platforms such as eBay, Inc. ("eBay"), AliExpress, Alibaba Group Holding Ltd. ("Alibaba"), Amazon.com, Inc.

("Amazon"), ContextLogic Inc. d/b/a Wish.com ("Wish.com"), and Dhgate (collectively, the "Third Party Providers") shall, within seven (7) calendar days after receipt of such notice, provide to MINGHOU expedited discovery, including copies of documents and records in such person's or entity's possession or control sufficient to disclose:

- a. the identities and locations of Defendants, their agents, servants, employees, confederates, attorneys, and any persons acting in concert or participation with them, including all known contact information and all associated e-mail addresses;
- b. the nature of Defendants' operations and all associated sales, methods of payment for services and financial information, including, without limitation, identifying information associated with the Online Marketplaces and Defendants' financial accounts, as well as providing a full accounting of Defendants' sales and listing history related to their respective Online Marketplaces; and
- c. any financial accounts owned or controlled by Defendants, including their agents, servants, employees, confederates, attorneys, and any persons acting in concert or participation with them, including such accounts residing with or under the control of any banks, savings and loan associations, payment processors or other financial institutions, including, without limitation, PayPal, Inc. ("PayPal"), Alipay, Alibaba, Ant Financial Services Group ("Ant Financial"), Amazon Pay, Wish.com, or other merchant account providers, payment providers, third party processors, and credit card associations (e.g., MasterCard and VISA).

3. Upon MINGHOU's request, those with notice of the injunction, including Third Party Providers as defined in Paragraph 2, shall within seven (7) calendar days after receipt of such notice, disable and cease displaying any advertisements used by or associated with Defendants in connection with the sale of infringing goods using the Footwear Sole Design.

4. Defendants shall be temporarily restrained and enjoined from transferring or disposing of any money or other of Defendants' assets until further ordered by this Court.

5. Any Third-Party Providers, including PayPal, Alipay, Alibaba, Ant Financial, Wish.com, and Amazon Pay, shall, within seven (7) calendar days of receipt of this Order:

- a. locate all accounts and funds connected to Defendants' Seller Aliases, including, but not limited to, any financial accounts connected to the information listed in Schedule A hereto, the e-mail addresses identified in Exhibits, and any e-mail addresses provided for Defendants by third parties; and
- b. restrain and enjoin any such accounts or funds from transferring or disposing of any money or other of Defendants' assets until further ordered by this Court.

6. MINGHOU is authorized to issue expedited written discovery, pursuant to Federal Rules of Civil Procedure 33, 34 and 36, related to:

- a. the identities and locations of Defendants, their agents, servants, employees, confederates, attorneys, and any persons acting in concert or participation with them, including all known contact information, including any and all associated e-mail addresses; and
- b. the nature of Defendants' operations and all associated sales, methods of payment for services and financial information, including, without limitation, identifying information associated with the Online Marketplaces and

Defendants' financial accounts, as well as providing a full accounting of Defendants' sales and listing history related to their respective Online Marketplaces.

7. MINGHOU is authorized to issue any such expedited discovery requests via e-mail. Defendants shall respond to any such discovery requests within seven (7) calendar days of being served via e-mail.

8. MINGHOU may provide notice of these proceedings to Defendants, including notice of the preliminary injunction hearing, service of process pursuant to Fed. R. Civ. P. 4(f)(3), and any future motions by electronically publishing a link to the Complaint, this Order and other relevant documents on a website and by sending an e-mail to the e-mail addresses identified in Exhibits and any e-mail addresses provided for Defendants by third parties that includes a link to said website. The Clerk of the Court is directed to issue a single original summons in the name of "The Partnerships and all other Defendants identified in the Complaint" that shall apply to all Defendants. The combination of providing notice via electronic publication and e-mail, along with any notice that Defendants receive from payment processors, shall constitute notice reasonably calculated under all circumstances to apprise Defendants of the pendency of the action and afford them the opportunity to present their objections.

9. The Clerk shall unseal Schedule A and Exhibit 1 to the Complaint.

10. MINGHOU has deposited with the Court eighty thousand dollars (\$80,000.00), either cash or surety bond, as security, which amount was determined adequate for the payment of such damages as any person may be entitled to recover as a result of wrongful restraint hereunder.

11. Any Defendants that are subject to this Order may appear and move to dissolve or modify the Order as permitted by and in compliance with the Federal Rules of Civil Procedure and Northern District of Illinois Local Rules.

12. This Preliminary Injunction shall remain in effect until Final Disposition of this case or until further order by the Court.

DATED: February 7, 2023, 2023



Honorable Manish S. Shah
United States District Judge

**QUANZHOU MINGHOU TRADING CO. LTD. v. The Partnerships and
Unincorporated Associations Identified on Schedule "A"**

Case No. 22-cv-0036

**Schedule
"A"**

No.	Seller Aliases	No.	Seller Aliases
1	MOSHA BELLE		
2	TIAMOU		
3	April Spring		
4	QUINMOK		
5	TSIODFO		
6	SKDOIUL		
7	wanhee		
11	LES ENPHANTS		
12	DREAM HORSE	52	See You Latter

13	MEILIYA	53	HH Shoes
		54	HappyJerry

		55	Coolfe
16	Dabbqis Store	56	Fj clothing fashion
		57	Cheer the world
18	SAFRAS		
19	Pal sure		
20	xieweishan		
21	TuozhangkenpanqYh		
22	Axcellent		
23	Saixishi shipin		
24	liuxiaoran98552		
25	uncle man		
26	Big YueYang		
27	meimeiertongyongpin		
28	1958 Shoes		

29	mengxiang shoes		
30	caoxiufang		
31	CN1001616706		

32	KennedyJohnshop7		

No.	Online Marketplace	No.	Online Marketplace
1	Amazon.com Men Athletic Shoes Mesh Blade Non Slip Running Gym Tennis Walking Sports Sneakers Trail Running		
2	https://www.amazon.com/TIAMOU-Running-Walking-Athletic-Sneakers/dp/B08PNZTXQF/ref=sr_1_1?dchild=1&m=A1M9ELPWM6ETUK&marketplaceID=ATVPDKIKXODER&qid=1626680965&s=merchant-items&sr=1-1		
3	https://www.amazon.com/APRILSPRING-Wear-Resistant-Anti-Skid-Absorption-Sneakers/dp/B08FJ7XC3Z/ref=sr_1_1?dchild=1&m=A370BKJ8HKEQ94&marketplaceID=ATVPDKIKXODER&qid=1626682135&s=merchant-items&sr=1-1		

4	https://www.amazon.com/QUINMOK-Walking-Breathable-Sneakers-Fashion/dp/B095WLLY8Q/ref=sr_1_1?dchild=1&m=AD4Z4F4GIJZ7O&marketplaceID=ATVPDKIKX0DER&qid=1627876823&s=merchant-items&sr=1-1		
5	https://www.amazon.com/TSIODFO-Breathable-Comfort-Athletic-Sneakers/dp/B07QRPPV4V/ref=sr_1_3?dchild=1&m=AF367V136OM6M&marketplaceID=ATVPDKIKX0DER&qid=1626682622&s=merchant-items&sr=1-3&th=1		
6	https://www.amazon.com/SKDOIUL-Breathable-Athletic-Sneakers-A050-black-45/dp/B07QNNC7XD/ref=sr_1_3?dchild=1&m=A1ROTTFKPXKJ10&marketplaceID=ATVPDKIKX0DER&qid=1626683896&s=merchant-items&sr=1-	46	https://www.walmart.com/ip/Earlde-Mens-Mesh-Blade-Running-Gym-Walking-Shoes-Just-So-So-Sneaker/1891039938

	3&th=1		
7	https://www.amazon.com/wanhee-Breathable-Sneakers-Comfortable-Exercises/dp/B093BNX2B1/ref=sr_1_1?dchild=1&m=A12Y6RILRYJAA&marketplaceID=ATVPDKIKX0DER&qid=1626684655&s=merchant-items&sr=1-1		
11	https://www.amazon.com/ENPHAN-TS-Running-Sneakers-Athletic-Lightweight/dp/B094JQF5LZ/ref=sr_1_197?crid=14EITC39Q1FIC&keywords=blade+shoes&qid=1652956066&srefix=blade+shoes%2Caps%2C495&sr=8-197		
12	https://www.amazon.com/DREAM-HORSE-Lightweight-Comfortable-Coustruction/dp/B09PYDGZ1Q/ref=sr_1_229?crid=14EITC39Q1FIC&keywords=blade+shoes&qid=1652956066&srefix=blade+shoes%2Caps%2C495&sr=8-229	52	https://www.joom.com/en/products/5e6ee7df8b45130101f59b14

13	https://www.amazon.com/dp/B08YFHCS9L/ref=twister_B08YFDV3VD?th=1&psc=1	53	https://www.joom.com/en/products/5ea2594d8b4513010187ec55
		54	https://www.joom.com/en/products/609276afde517c018674c220
		55	https://www.joom.com/en/products/612a09c2e18bc201344945bf
16	https://www.amazon.com/gp/product/B097DD84VV/ref=twister_dp_update?ie=UTF8&psc=1&redirect=true	56	https://www.joom.com/en/products/6076a870193323015da2b6a1
		57	https://www.joom.com/en/products/61c57a20c14a4e0171269e5f
18	https://www.amazon.com/gp/product/B0BHNGJDZ3/ref=twister_dp_update?ie=UTF8&psc=1&redirect=true		

<p>19</p>	<p>https://www.wish.com/search/blade%20shoes/product/6146182e62adb8eab1df5cc1?source_feed_page_view_id=1651734769_2d157baa5a354c8487ae73a287a5b3a7_SearchPage&source=search&position=80&share=web</p>		
<p>20</p>	<p>https://www.wish.com/merchant/5ae80450417cee106e8d74ae</p>		
<p>21</p>	<p>https://www.wish.com/search/blade%20shoes/product/5f2e6f48e17b8d0044771ac6?source_feed_page_view_id=1651734769_2d157baa5a354c8487ae73a287a5b3a7_SearchPage&source=search&position=278&share=web</p>		

			<p>id%3ApcDetailBottomMoreOtherSeller%2Cscm-url%3A1007.40050.281175.0%2Cpvid%3Aa4b739c1-8f51-4571-b019-6d3c94c0fc32%2Ctpb_buckets%3A668%232846%238108%231977&pdp_ext_f=%7B%22sku_id%22%3A%2212000024089855814%22%2C%22sceneId%22%3A%2230050%22%7D&pdp_npi=2%40dis%21USD%21%2110.73%21%21%21%21%21%400b1b7b3e16536415867665592e72bc%2112000024089855814%21rec&gatewayAdapt=4itemAdapt</p>
<p>22</p>	<p>https://www.wish.com/search/blade%20shoes/product/61dbd08c6c7733e2488eebe1?source_feed_page_view_id=1651734769_2d157baa5a354c8487ae73a287a5b3a7_SearchPage&source=search&position=287&share=web</p>		
<p>23</p>	<p>https://www.wish.com/search/blade%20shoes/product/5f9be047292bb01dcb329d80?source_feed_page_view_id=1651734769_2d157baa5a354c8487ae73a287a5b3a7_SearchPage&source=search&position=311&share=web</p>		
<p>24</p>	<p>https://www.wish.com/search/blade%20shoes/product/5d7f471729cd8b25825e1d15?source_feed_page_view_id=1651734769_2d157baa5a354c8487ae73a287a5b3a7_SearchPage&source=search&position=405&share=web</p>		

25	https://www.wish.com/search/blade%20shoes/product/5ced59cb4d5d8504a4ee01fe?source=search&position=104&share=web		
26	https://www.wish.com/search/blade%20shoes/product/5e40b1b20b79713d835c0dbc?source=search&position=153&share=web		
27	https://www.wish.com/search/5ca175e96d35581693186b2d/product/5ca175e96d35581693186b2d?source=search&position=0&share=web		
28	https://www.wish.com/search/5d37d6ea2ab488154552e853/product/5d37d6ea2ab488154552e853?source=search&position=0&share=web		

29	https://www.wish.com/merchant/58a91000c78c775186c45191/product/5d71c854e93dc04eb8a64d24?source=merchant&position=18&share=web		
30	https://www.wish.com/search/608287aaf37348aa575a1c50/product/608287aaf37348aa575a1c50?source=search&position=0&share=web		
31	https://www.wish.com/search/60389926f52bad8f2d398ef0/product/60389926f52bad8f2d398ef0?source=search&position=0&share=web		

32	https://www.wish.com/feed/tabbed_feed_latest/product/6134f3d680f6d859ab5c1768?source_feed_page_view_id=1651807983_87a1aca1cd634f94af78d417534bc916_FeedPage&source=tabbed_feed_latest&position=12&share=web		
----	---	--	--